

MPIII Humidity Data Logger

DataTrace[®] MPIII Micropack III Humidity Data Logger

For processes that are sensitive to humidity, even small RH changes can dramatically affect product production, storage and shipping. The highly accurate MPIII Humidity Logger monitors RH across the full range, from 0% to 100% at temperatures from 0°C (32°F) to 85°C (185°F).

- Accurate Across Full RH Range
- 18 Point Humidity NIST Traceable Calibration
- 10 Point Temp NIST Traceable Calibration
- FDA 21 CFR Part 11 Compliant Software



Collect and log accurate RH data in varied industries and situations, including:

- Pharmaceutical, Production Monitoring
- EtO Sterilization
- Sterilizer Validation
- Food Production/Drying
- Incubator Validation
- Critical Product Shipments

DT Pro Software

DataTrace's highly secure, FDA 21 CFR Part 11 compliant DT Pro software offers reports in any format you require. Password protected access, electronic signatures and automatic documentation for audit trails streamline your work. You can even synchronize multiple loggers (in any combination of logger types) to the same clock; something disparate systems can't do.



- Customize reports
- Password protected access
- Electronic signatures
- Automatic documentation



MPIII Humidity Data Logger

Product Specifications

Range

Operating Temperatures: +0°C to +85°C (+32°F to +185°F)
Temperature Accuracy: ± 0.1°C (±.2°F)
Operating Humidity: 0% to 100% RH (non-condensing)
Humidity Accuracy: ±2% RH, 0% to 100% non-condensing at +25°C and +55°C (±5% RH in EtO)
Resolution: 0.01% RH

Physical

Size:
 Width: 0.7 in (18mm)
 Length: 2.6 in (66mm)
Weight: 1.7 oz (48 grams)
Material: 316 stainless steel; Sapphire IR windows

Sensor Elements

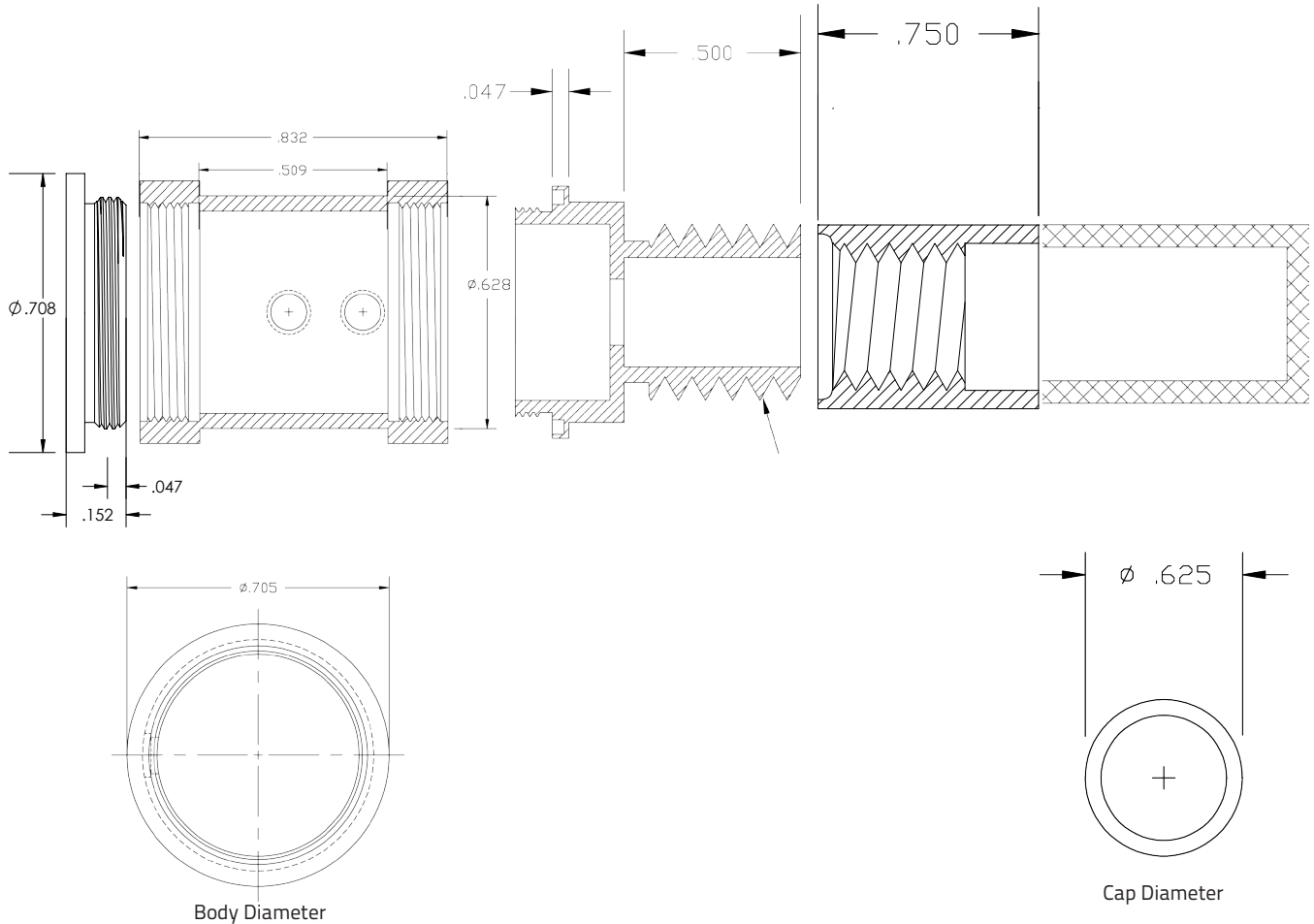
Temperature: Thermistor
Humidity: Capacitive polymer

Mechanical

Calibration: Factory calibrated (NIST traceable) or RH field calibration ±3% RH accuracy
Battery Type: Lithium (field-replaceable)
Clock accuracy: 26 seconds per 24 hours
Certifications: ATEX (for intrinsic safety)

Monitoring Parameters

Memory: 8,000 time/temperature observations and 8,000 time/humidity observations
Sample rates: Operator programmable 1 sec. to 1 hr. intervals



All specifications subject to change without notice. DataTrace is a registered trademark and Micropack III is a trademark of Mesa Laboratories, Inc. All other trademarks and registered trademarks are the sole property of their respective owners.

© Copyright 2015 Mesa Laboratories, Inc.



21 CFR Part 11 Compliant